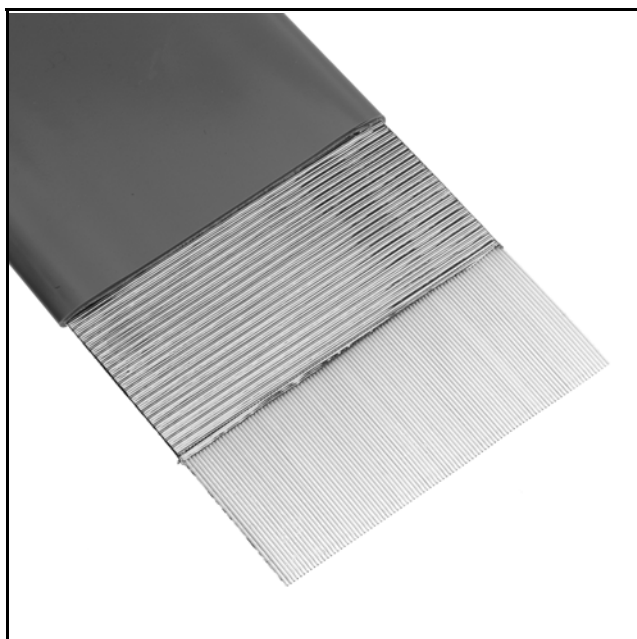


3M™ Pleated Foil Shielded Cable

.025" 30 AWG Solid, TPE Primary, PVC Jacket

90111 Series



- Can be used with IDC mass termination connectors
- Can be used in applications requiring standard impedance of 75 Ω single ended
- Extremely low crosstalk, used in the all signal mode to quadruple signal density as compared to standard .050 inch flat ribbon cable
- CL2 rated, rugged design, and high reliability for peripheral applications
- Solid pleated copper foil provides flexibility and 35 db average shielding effectiveness
- RoHS* Compliant

Date Modified: January 20, 2005

TS-0451-13
Sheet 1 of 2

Physical

Cover

Material: Polyvinyl Chloride (PVC)

Color: Gray

Primary Material: Thermoplastic Elastomer (TPE)

Marking:

Standard:: (UL) CL2 75C 30 AWG 3M NU
AWM II A/B 80C 150V FT1 EU <50V

Conductors: 30 AWG [0.254] Tinned Stranded Copper

Shielding: Solid, Pleated, Copper Foil

Electrical

Voltage Rating:	USA: N.E.C. 725, CL2	Canada: 150V	EU: <50V
Insulation Resistance:	(Primary Cable) > $1 \times 10^{10} \Omega/10 \text{ ft. [3m]}$		
	Unbalanced	Balanced	
Characteristic Impedance:	72 Ω	129 Ω	
Capacitance:	21.0 pF/ft (68.9 pF/m)	11.6 pF/ft (38.1 pF/m)	
Inductance:	.11 $\mu\text{H/ft}$ (0.36 $\mu\text{H/m}$)	.19 $\mu\text{H/ft}$ (0.62 $\mu\text{H/m}$)	
Propagation Delay:	1.51 ns/ft (4.95ns/m)	1.50 ns/ft (4.92 ns/m)	
Velocity of Propagation:	67%	68%	

Note: Unbalanced is measured between ground-signal-ground conductors. Balanced is measured between signal conductors within a pair.

Environmental

Temperature Rating:	USA: CL2: 75°C	Canada: 80°C
Flammability Rating:	USA: N.E.C. 725, CL2	Canada: FT1

RoHS = Directive 2002/95/EC, Restriction of the Use of Certain Hazardous Substances in Electrical and Electronic Equipment

UL File No.: E118773, Power Limited Circuit Cable: CL2



Interconnect Solutions

<http://www.3M.com/interconnects/>

3M is a trademark of 3M Company.
For technical, sales or ordering information call

800-225-5373

3M™ Pleated Foil Shielded Cable

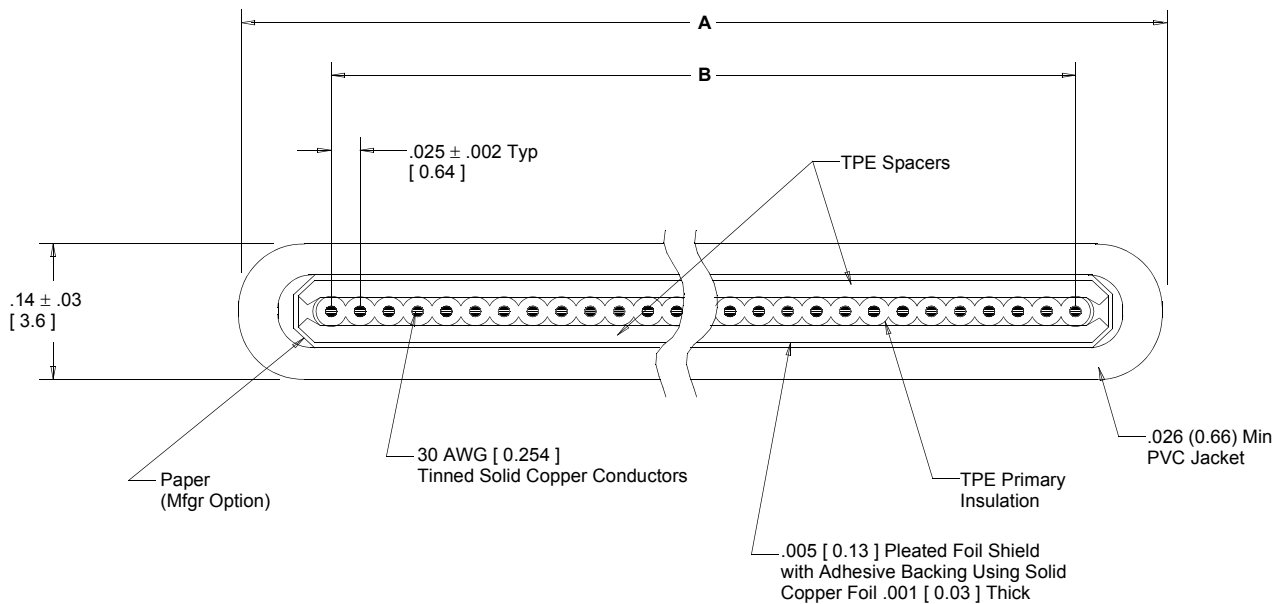
.025" 30 AWG Solid, TPE Primary, PVC Jacket

90111 Series

Number of Conductors	3M Part Number	Dimension A ± .04	Dimension B
20	90111/20	.65 [16.5]	0.475 ± .004 [12.07]
26	90111/26	.80 [20.3]	0.625 ± .004 [15.88]
36	90111/36	1.05 [26.7]	0.875 ± .006 [22.23]
40	90111/40	1.15 [29.2]	0.975 ± .006 [24.77]
50	90111/50	1.40 [35.6]	1.225 ± .009 [31.12]
68	90111/68	1.85 [47.0]	1.675 ± .012 [42.55]
80	90111/80	2.15 [54.6]	1.975 ± .012 [50.17]
100	90111/100	2.65 [67.3]	2.475 ± .015 [62.87]

Inch [mm]			
Tolerance Unless Noted			
Inch	.0	.00	.000
	±.1	±.05	±.010

[] Dimensions for Reference only



Note: Blue marking on one edge of primary cable designates wire #1.

Ordering Information

90111/XX

Number of Conductors
(See Table)

Note: Standard length is 100 ft/roll.

TS-0451-13
Sheet 2 of 2

Important Notice

All statements, technical information, and recommendations related to 3M's products are based on information believed to be reliable, but the accuracy or completeness is not guaranteed. Before using this product, you must evaluate it and determine if it is suitable for your intended application. You assume all risks and liability associated with such use. Any statements related to the product which are not contained in 3M's current publications, or any contrary statements contained on your purchase order shall have no force or effect unless expressly agreed upon, in writing, by an authorized officer of 3M.

Warranty; Limited Remedy; Limited Liability.

This product will be free from defects in material and manufacture for a period of 1 year from the time of purchase. **3M MAKES NO OTHER WARRANTIES INCLUDING, BUT NOT LIMITED TO, ANY IMPLIED WARRANTY OF MERCHANTABILITY OR FITNESS FOR A PARTICULAR PURPOSE.** If this product is defective within the warranty period stated above, your exclusive remedy shall be, at 3M's option, to replace or repair the 3M product or refund the purchase price of the 3M product. **Except where prohibited by law, 3M will not be liable for any indirect, special, incidental or consequential loss or damage arising from this 3M product, regardless of the legal theory asserted.**

3M

Electronic Solutions Division

6801 River Place Blvd.
Austin, TX 78726-9000
www.3M.com/esd



Minimum 10%
Post-consumer Fiber

Printed in USA.

© 3M 2005